



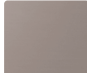
WA52A5500AW | WA52A5500AV | WA52A5500AC

**SAMSUNG**

**Samsung 5.2 cu. ft. Large Capacity Smart Top Load Washer with Super Speed Wash**



**Available Colors**

-  **White**  
WA52A5500AW
-  **Brushed Black**  
WA52A5500AV
-  **Champagne**  
WA52A5500AC


**Features**

- Large 5.2 cu. ft. Capacity
- Super Speed Wash
- Wi-Fi Connectivity\*
- Active WaterJet
- EZ Access Tub
- Deep Fill
- Smart Care
- Vibration Reduction Technology+
- Swirl+ Tub Interior
- Self Clean
- Soft-Close Lid
- ENERGY STAR® Certified
- Accessibility (AUI, Braille)
- 750 RPM Maximum Spin Speed
- Direct Drive Motor
- 17 Total Washing Cycles
- 10 Additional Washing Options

**Convenience**

- Child Lock
- Dispenser Trays: Main Wash, Softener, Bleach

**Ratings**

 ENERGY STAR® Rated:  
 IMEF = 2.06  
 IWF = 4.3  
 120 kWh/yr

**Electrical Requirements**

120 V / 60 Hz  
 15 Amps

**Specifications**

**12 Preset Washing Cycles:**

Normal, Bedding/Waterproof, Heavy Duty, Colors, Whites, Activewear, Delicates, Quick Wash, Self Clean, Rinse + Spin, Deep Wash, Downloaded

**5 Downloadable Washing Cycles:**

Permanent Press, Wool, Eco Cold, Denim, Power Rinse

**10 Additional Washing Options:**

Delay End, Presoak, Sound On/Off, Child Lock, Fabric Softener, Deep Fill, Super Speed, Smart Care, Smart Control, Spin Only

**5 Temperature Settings:**

Hot, Warmer, Warm, Cool, Cold

**5 Spin Settings:**

High, Medium High, Medium, Low, No Spin

**5 Soil Settings:**

Heavy, Heavy Medium, Normal, Low Medium, Light

**Warranty**

One (1) Year Parts and Labor  
 Three (3) Years Stainless Tub Part (Part Only)  
 Washing DIT (Digital Inverter Motor) Motor Part (Part Only):  
 Ten (10) Years  
 Twenty (20) Years Limited to "U.S.-Assembled" Washers Only

**Product Dimensions & Weight (WxHxD)**

Dimensions: 27<sup>9</sup>/<sub>16</sub>" x 44<sup>11</sup>/<sub>16</sub>" x 29<sup>7</sup>/<sub>16</sub>"  
 Weight: 134.5 lbs

**Shipping Dimensions & Weight (WxHxD)**

Dimensions: 30<sup>1</sup>/<sub>8</sub>" x 47<sup>11</sup>/<sub>16</sub>" x 31<sup>1</sup>/<sub>4</sub>"  
 Weight: 143.3 lbs

Washer	Model #	UPC Code
White	WA52A5500AW	887276751207
Brushed Black	WA52A5500AV	887276751191
Champagne	WA52A5500AC	887276751184

**Matching Electric Dryer**

White	DVE52A5500W	887276557748
Brushed Black	DVE52A5500V	887276557731
Champagne	DVE52A5500C	887276557724

**Matching Gas Dryer**

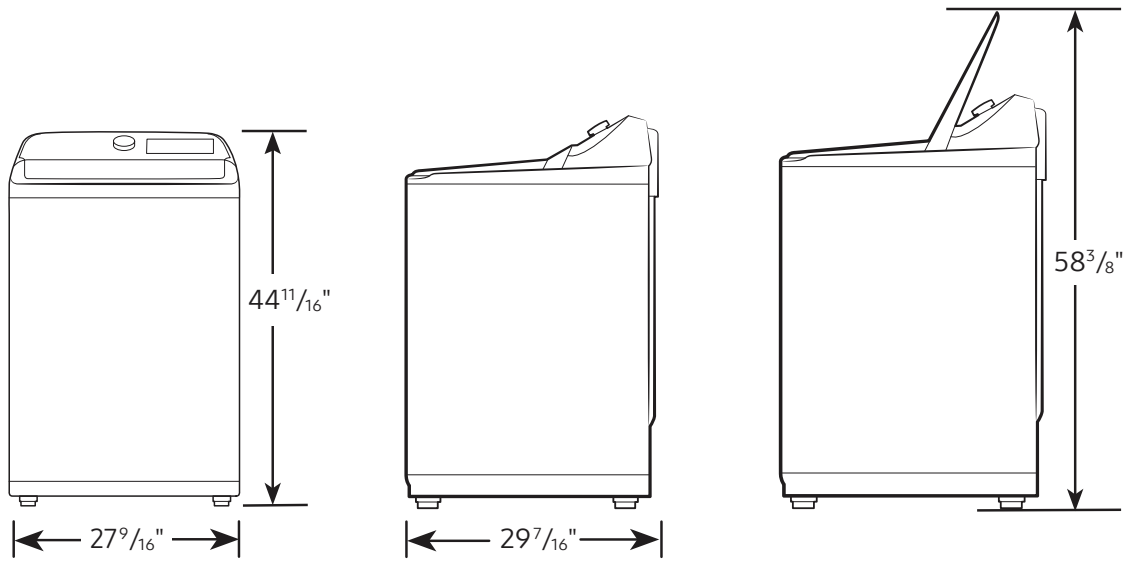
White	DVG52A5500W	887276557816
Brushed Black	DVG52A5500V	887276557809
Champagne	DVG52A5500C	887276557793

\*Requires wireless network, Samsung account and Samsung SmartThings App. The Samsung Smart Things App supports Android OS 4.0 (ICS) or later which is optimized for Samsung smartphones (Galaxy S and Galaxy Note series). This app also supports iOS 7 or later for iPhone models. Samsung SmartThings App available in App Store and Play Store.

Samsung 5.2 cu. ft. Large Capacity Smart Top Load Washer with Super Speed Wash

**Dimensions**

Required dimensions for installation:

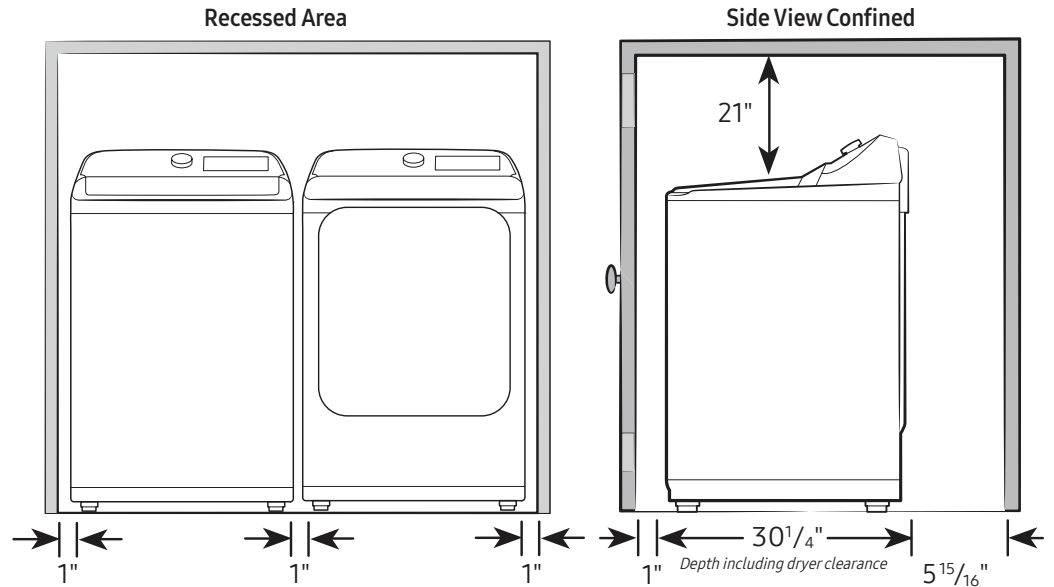


**Installation Specifications – Side-by-Side**

If the washer and dryer are installed together or the dryer alone, the closet front must have two unobstructed air openings for a combined minimum total area of 72-inch<sup>2</sup>. Your washer alone does not require a specific air opening.

Alcove or closet installation

Minimum clearance for closet and alcove installations:

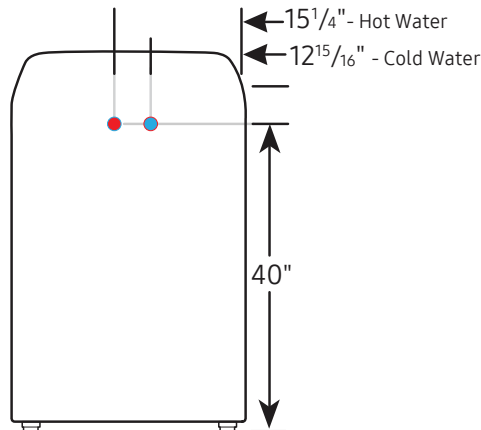


**Connection Dimensions**

Back view of washer

**LEGEND:**

- Hot Water Connection
- Cold Water Connection



Actual color may vary. Design, specifications, and color availability are subject to change without notice. Non-metric weights and measurements are approximate.