

WF45B6300AW | WF45B6300AC | WF45B6300AP

SAMSUNG

Samsung 4.5 cu. ft. Large Capacity Smart Front Load Washer with Super Speed Wash



Available Colors

-  **White**
WF45B6300AW
-  **Champagne**
WF45B6300AC
-  **Platinum**
WF45B6300AP

Features

- Super Speed Wash
- Wi-Fi Connectivity¹
- Steam
- ENERGY STAR[®] Most Efficient
- Large 4.5 cu. ft. Capacity
- Antimicrobial Technology
- Scratch-Resistant Tempered Glass Door
- Closet-Depth Fit²
- Vibration Reduction Technology+
- Swirl+ Drum Interior
- Self Clean+
- ADA Compliant³
- Accessibility (AUI, Braille)
- Stackable
- Internal Water Heater
- 1200 RPM Maximum Spin Speed
- Direct Drive Motor
- 23 Total Washing Cycles
- 9 Additional Washing Options

Specifications

23 Total Washing Cycles:

Normal, Heavy Duty, Bedding, Quick Wash, Delicates, Towels, Rinse + Spin, Self Clean+, Steam Sanitize, Steam Normal, Steam Whites, Downloads, Permanent Press, Activewear, Wool, Eco Cold, Colors, Outdoor, Denim, Steam Allergen, Power Steam, Steam Bulky, Power Rinse

9 Additional Washing Options:

Pre Soak, Steam, Delay End, Smart Control, Super Speed, Smart Care, Sound, Child Lock, Spin Only

5 Temperature Settings:

Hot, Warmer, Warm, Cool, Cold

5 Spin Settings:

High, Medium, Low, Extra Low, No Spin

5 Soil Settings:

Heavy, Heavy Medium, Normal, Medium Low, Light

Warranty

One (1) Year Parts and Labor
Three (3) Years Stainless Steel Tub (Part Only)
Twenty (20) Years; Washing DIT (Digital Inverter Motor) Motor Part (Part Only)

Product Dimensions & Weight (WxHxD)

Dimensions: 27" x 38³/₄" x 31³/₈"
Weight: 200.6 lbs

Shipping Dimensions & Weight (WxHxD)

Dimensions: 29³/₈" x 42³/₈" x 34¹/₈"
Weight: 205 lbs

Convenience

- Child Lock
- Dispenser Trays: Main Wash, Softener, Bleach

Ratings



CEE Tier 3
IMEF = 3.1
IWF = 2.9
92 kWh/yr

Electrical Requirements

120 V / 60 Hz
15 Amps

| Washer | Model # | UPC Code |
|-----------|-------------|--------------|
| White | WF45B6300AW | 887276627434 |
| Champagne | WF45B6300AC | 887276627403 |
| Platinum | WF45B6300AP | 887276627410 |

Matching Electric Dryer

| | | |
|-----------|-------------|--------------|
| White | DVE45B6300W | 887276628035 |
| Champagne | DVE45B6300C | 887276628004 |
| Platinum | DVE45B6300P | 887276628011 |

Matching Gas Dryer

| | | |
|-----------|-------------|--------------|
| White | DVG45B6300W | 887276628073 |
| Champagne | DVG45B6300C | 887276628042 |
| Platinum | DVG45B6300P | 887276628059 |

| Optional Accessories | Model # | UPC Code |
|----------------------|---------|--------------|
| White Pedestal | WE402NW | 887276310152 |
| Champagne Pedestal | WE402NC | 887276310121 |
| Platinum Pedestal | WE402NP | 887276310138 |
| White Riser | WE272NW | 887276197647 |
| Champagne Riser | WE272NC | 887276393940 |
| Stacking Kit | SKK-8K | 887276344034 |

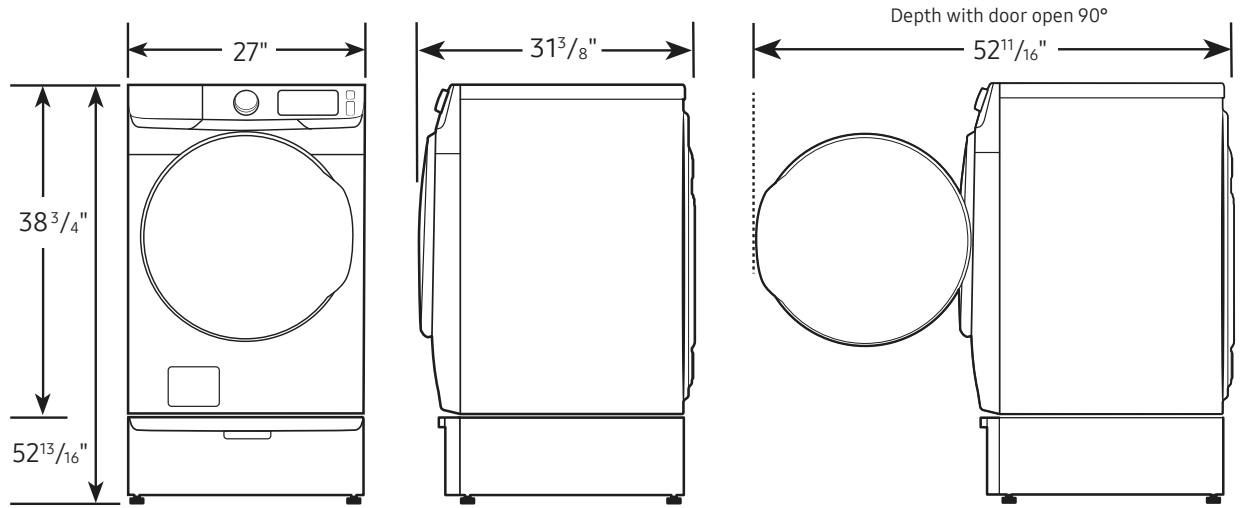
¹Requires wireless network, Samsung account and Samsung SmartThings App. The Samsung Smart Things App supports Android OS 4.0 (ICS) or later, which is optimized for Samsung smartphones (Galaxy S and Galaxy Note series). This app also supports iOS 7 or later for iPhone models. Samsung SmartThings App available in App Store and Play Store.

²Designed to fit a 39" installation depth.

³ADA Compliant when using 27" wide riser. (Riser model codes: WE272NW, WE272NC)

Samsung 4.5 cu. ft. Large Capacity Smart Front Load Washer with Super Speed Wash

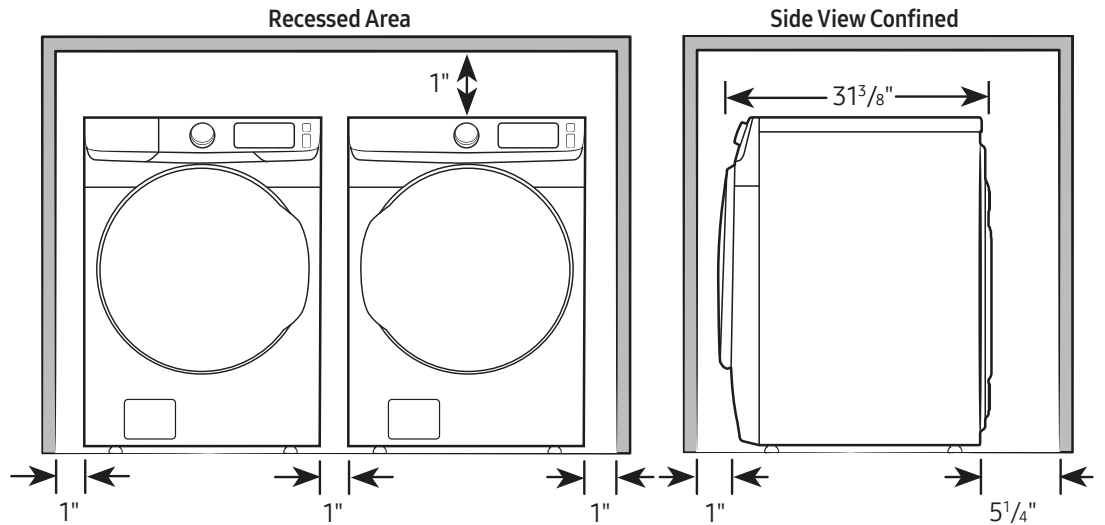
Required dimensions for installation with pedestal:



Installation Specifications – Side-by-Side

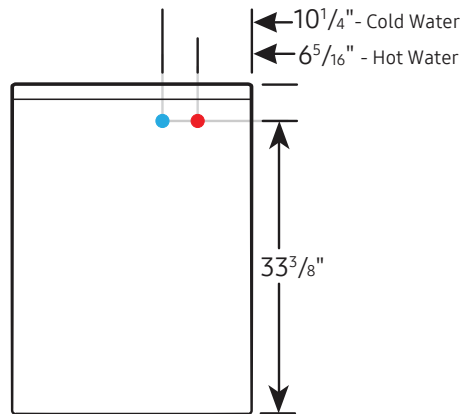
If the washer and dryer are installed together or the dryer alone, the closet front must have two unobstructed air openings for a combined minimum total area of 72-inch². Your washer alone does not require a specific air opening.

Alcove or closet installation
Minimum clearance for closet and alcove installations:



Connection Dimensions

Back view of washer



LEGEND:

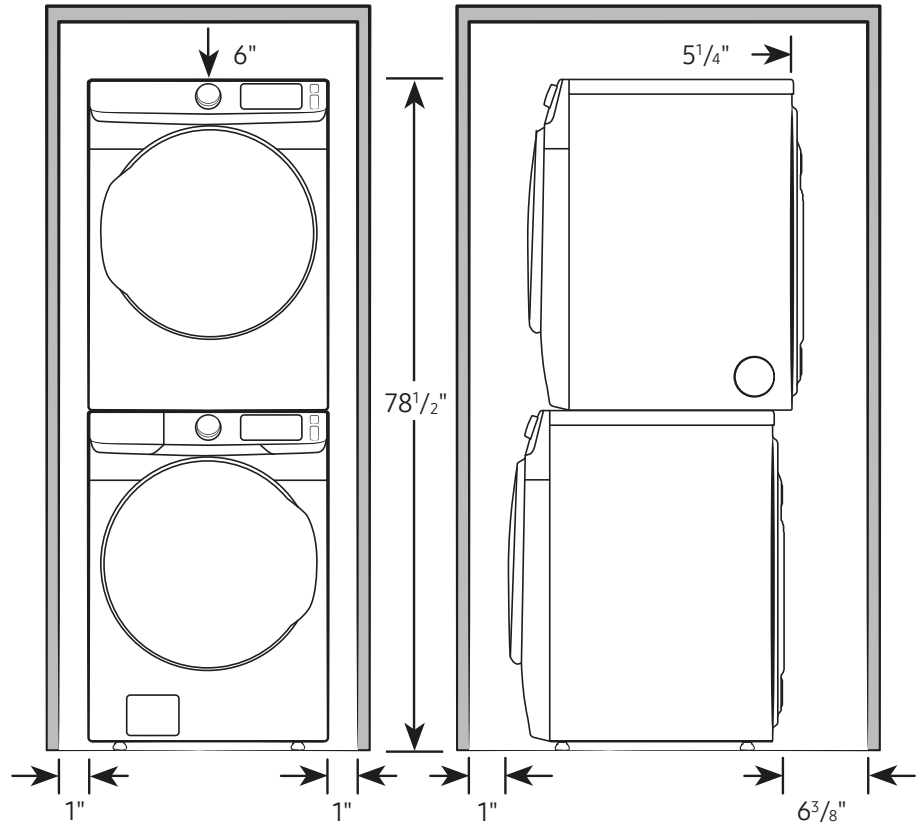
- Cold Water Connection
- Hot Water Connection

Actual color may vary. Design, specifications, and color availability are subject to change without notice. Non-metric weights and measurements are approximate.

Samsung 4.5 cu. ft. Large Capacity Smart Front Load Washer with Super Speed Wash

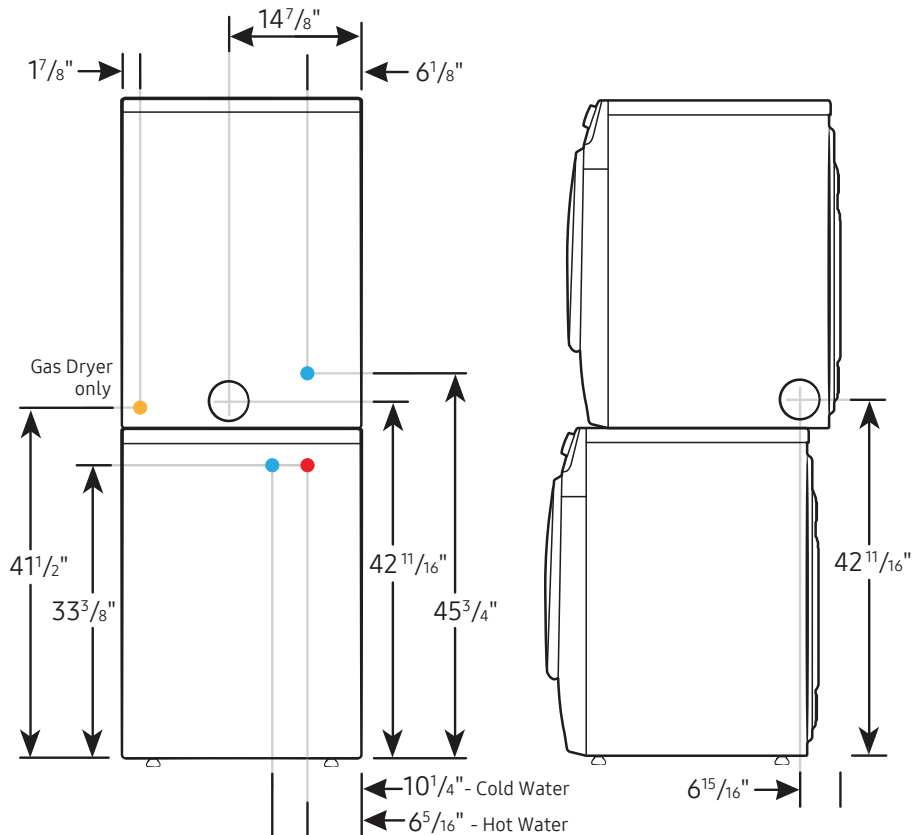
Installation Specifications – Stacked Pair

Clearances indicated are for stacked pairs. The closet front must have two unobstructed air openings for a combined minimum total area of 72-inch².



Connection Dimensions

Back and side views of stacked pair



- LEGEND:**
- Cold Water Connection
 - Hot Water Connection
 - Gas Connection

Actual color may vary. Design, specifications, and color availability are subject to change without notice. Non-metric weights and measurements are approximate.

©2023 Samsung Electronics America, Inc., 85 Challenger Road, Ridgefield Park, NJ 07660. Tel: 800-SAMSUNG.samsung.com. Samsung is a registered trademark of Samsung Electronics Co., Ltd.

← 10¹/₄" - Cold Water
 ← 6⁵/₁₆" - Hot Water