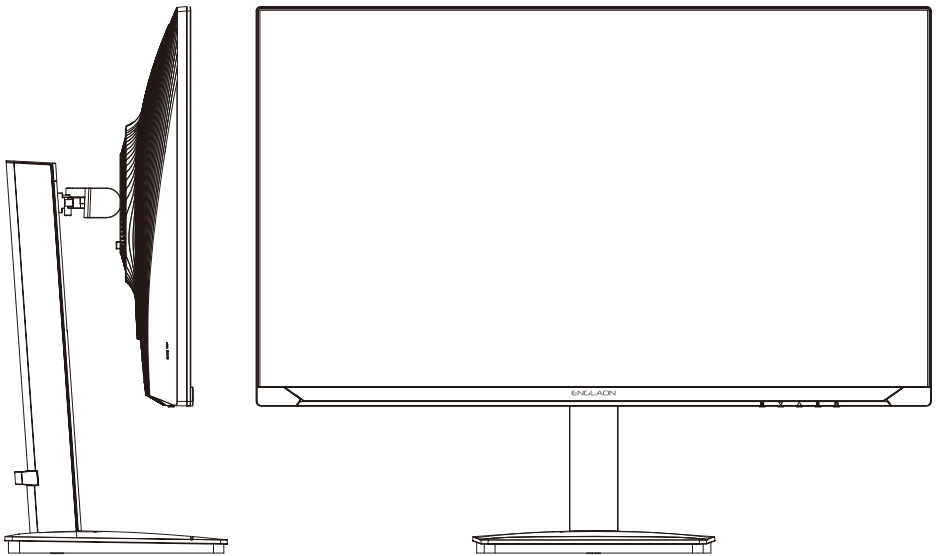


# ENGLAON

## Gaming Monitor User Guide



LED27G90

Read this instruction manual carefully  
before use and retain it for future reference.

# Catalog

<b>I .Safety Precautions</b>	-----	1
<b>II .Connectivity</b>	-----	2
<b>III .Diagram of Control Keys</b>	-----	3
<b>IV .Installation Instruction</b>	-----	4
<b>V . OSD Adjustment Instructions</b>	-----	5
<b>VI .Specification parameter</b>	-----	6
<b>VII .Frequently Asked Questions (FAQ)</b>	-----	7

## I . Safety Precautions

◆ Do not leave the Monitor near water sources, such as bathrooms, washing machines, dishwashers, kitchens, swimming pools or in wet basements.

◆ Do not place the Monitor on an unstable car, chair, or table. If the Monitor falls down, it can injure the user and cause damage to the device.

You can place the Monitor in a car or on chair accordance to the recommendations of the manufacturer or Monitor supplier. If you fix Monitor to a wall or shelf, the fixed installation must be approved by the manufacturer and install it in strict accordance with the procedure.

◆ There are many long and narrow holes in the upper and lower parts of the rear shell for ventilation. To ensure that the Monitor continues to operate without overheating, these holes cannot be blocked or covered. Therefore, the Monitor must not be placed on a bed, sofa, rug, or similar surface, and it cannot be placed close to a radiator or heat source. It cannot be placed in bookcases or boxes, unless ventilation is ensured,

◆ The operating supply voltage range of Monitor is indicated on the rear shell label. If you cannot confirm the voltage supplied, consult your dealer or local power company.

◆ When the Monitor is not used for a long time, please turn off the power, which will prevent electric shocks and abnormal power supply voltage damage during lightning storms.

◆ Do not overload the socket, otherwise it may cause fire or electric shock.


◆ Do not hold the base to pull the whole machine upside down.


◆ Do not put foreign matters inside the machine, which can cause a short circuit and cause fire or electric

◆ Do not open the rear shell to protect it from high pressure or other hazards. If there is a fault, please contact the after-sales service personnel directly.

◆ Please plug the Monitor's plug into the nearest convenient electrical socket.

◆ The altitude and tropical environment for the adapter are determined by the adapters that are provided.

◆ The rear nameplate is marked with a  warning sign for this type of machine, which indicates the product is only suitable for safe use at an altitude of 2000m and below.

◆ The rear nameplate is marked with a  warning sign for this type of machine, which indicates that the product is only suitable for safe use in non-tropical climate conditions.

Class one energy efficiency label

Energy efficiency(cd/W)	>1.05
Energy consumption in closed state(W)	<0.5
Energy efficiency rating	Class 1
The number of energy efficiency national standard based on	GB 21520-2015

Class two energy efficiency label

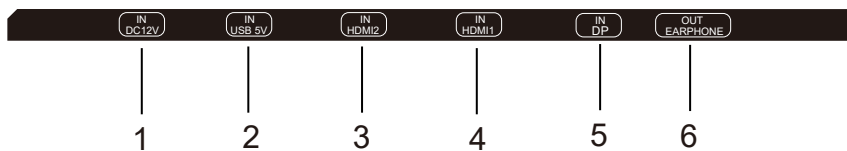
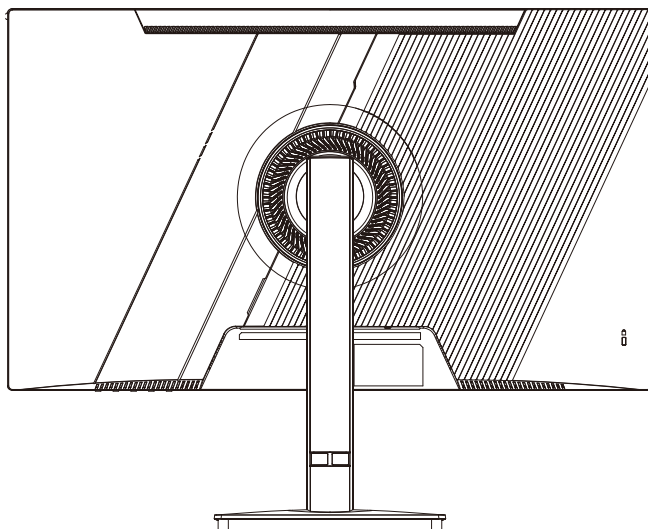
Energy efficiency(cd/W)	>0.85
Energy consumption in closed state(W)	<1.0
Energy efficiency rating	Class 2
The number of energy efficiency national standard based on	GB 21520-2015

Warning 1: To prevent fire or explosion, do not expose the display to rain or wet environment. There is a dangerous high voltage in the Monitor.

Do not open the shell. If you need repair, you shall find a professional service person.

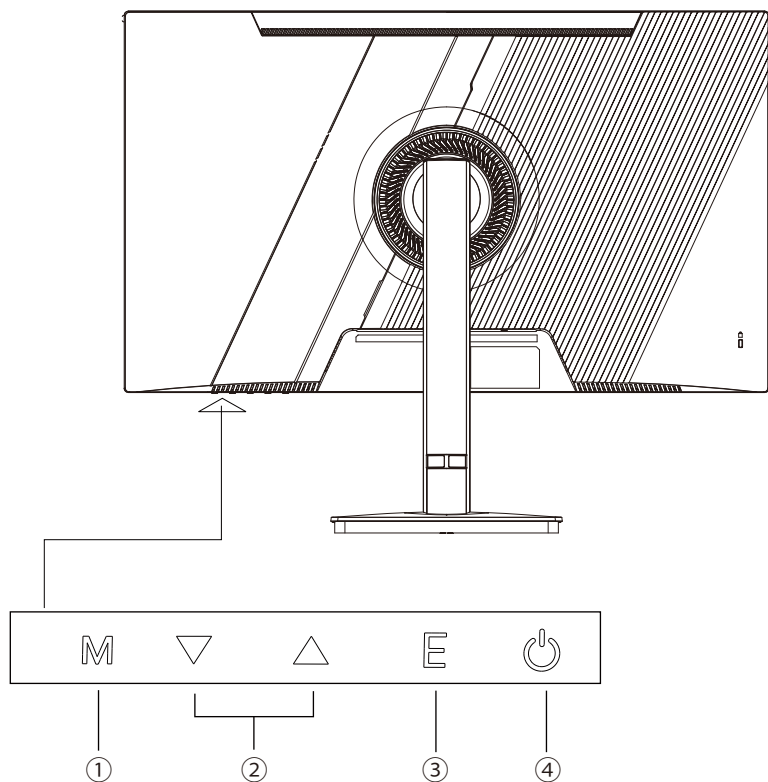
Warning 2: It is installed and connected to an output socket with protective earth termination by service personnel.

## II. Connectivity



1. DC-DC IN 12V
2. USB-USB IN 12V
3. HDMI2-HDMI2 IN
4. HDMI1-HDMI1 IN
5. DP-DP IN
6. EARPHONE-EARPHONE OUT

### III. Diagram of Control Keys



① Menu key

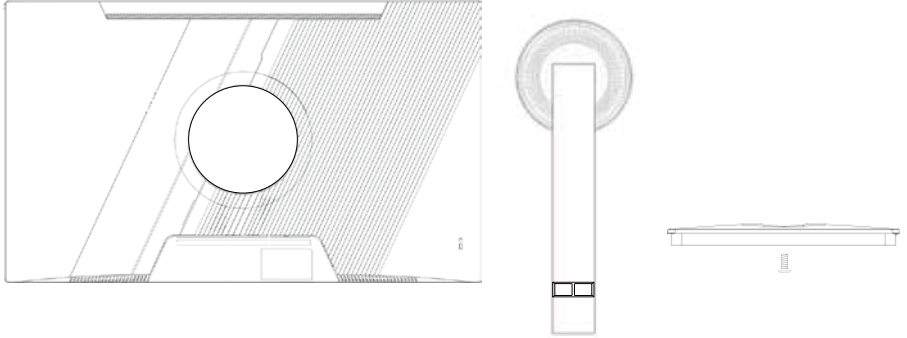
② Press the Up or Down key to adjust the Settings

③ Exit key/Auto adjust key

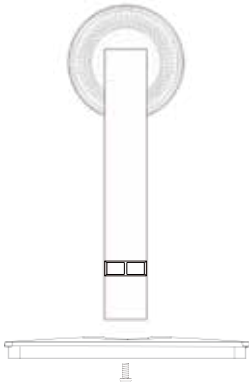
④ Press the power button to power on/off the monitor.

## IV. Installation Instruction

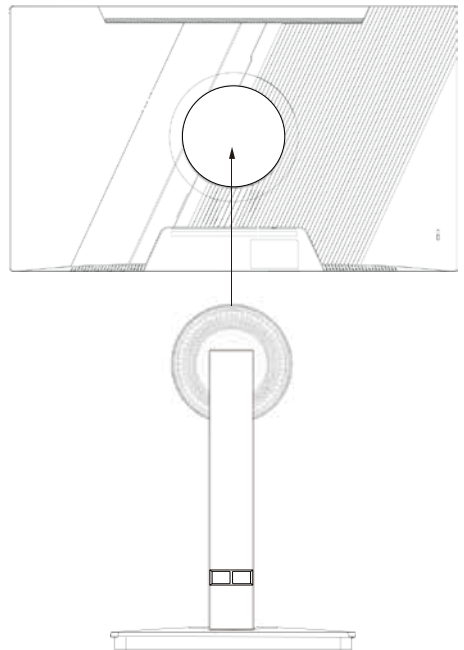
1. Lay the monitor on a cloth with the LCD panel facing down to prevent the LCD panel from being damaged. Fix the stand body to the back of the monitor with the screws.



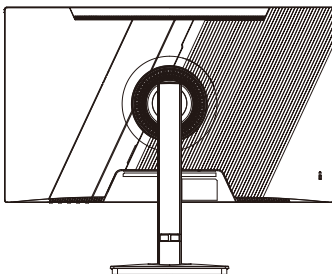
2. Fasten the bracket to the base with screws.









3. Attach the cover plate by pressing it onto the stand body.



4. Complete



## V. OSD Adjustment Instructions

Main menu items	Main menu icon	Submenu items	Range Of Values	Instructions
Picture		Brightness	0-100	Users can adjust the brightness display in the standard mode.
		Contrast	0-100	Users can adjust the contrast display in the standard mode.
		ECO Mode	Standard	Users choose the appropriate ECO mode according to personal preferences.
			Game	
			Movie	
			Text	
			FPS	
HDR	Off	Users can switch this menu item to adjust the HDR effect		
	On			
Flikerfree	Off	Users can switch this menu item to adjust the Flikerfree effect.		
	On			
Image Setup		Image Ratio	Wide	Users choose the appropriate image items according to personal preferences.
			4:3	
Color Setup		Color Temp	Warm	Users choose the appropriate color temp. Items according to personal preferences.
			Cool	
			User	
		Red	0-100	
		Green	0-100	
Blue	0-100			
Low Blue Mode		Low Blue Mode	0-100	Users can adjust this menu tiems to reduce eye damage.
OSD Setup		Language	English	Users choose the appropriate language items according to personal preferences. (Nineteen Languages)
			Japanese	
			Korean	
			Russian	
			Simplified Chinese	
		H. Position	0-100	Users can ajust the OSD position、timer、transparence .
		V. Position	0-100	
Timeout	10-60			
Transparence	0-100			
Led Effect		Led Effect	Off	Users can switch this menu item to adjust the Led Effect.
			On	
Reset		Reset	/	Press this menu to restore default values.
Extra		Input Select	DP	Users can select the personal preferences source.
			HDMI1	
			HDMI2	
		OSD Mute	Off/On	Users can switch menu items to be on/off.
		Volume	0-100	Users choose the appropriate Volume temp. Items according to personal preferences.
Free Sync	Off/On	Users can switch menu items to be on/off.		
Overdrive	Off/On			

## VI. Specification parameter

<b>XD-B Series</b>	Size	27 inch
	Model Name	LED27G90
<b>LCD Panel</b>	Brightness(Typical)	250 cd/m2 (Typ)
	NTSC	72% NSTC
	Contrast(Typical)	4000:1 (Typ)
	Resolution (H x V)	2560 (H) *1440 (V)
	Aspect Ratio	16:9
	Response Time(Typical)	1ms (OD)
	View Angles LR,UD(CR>10)	H 178°/ V 178°(Min)
	Panel Surface	Anti-Glare
<b>PC Input Range</b>	Display Colors	8bit+FRC colors
	Vertical Freq.	165Hz
<b>Interface</b>	Max display frequency (Resolution H*V/Fv)	2560*1440 /165Hz
	Input 1	HDMI x 2
	Input 2	DP x 1
<b>Output Terminal</b>	Input 3	USB x 1
	Earphone	Earphone x 1
<b>Projection screen</b>	Speaker(Typic )	2W*2(8Ω)
	Wireless projection	NA
<b>Power</b>	Wired projection	NA
	Consumption(Typical)	Standby≤0.5W
	PD POWER	48W
<b>Operating Condition</b>	Power Mode Indicator Light	RED/BLUE (LED)
	Temperature	0°C ~ 40°C
<b>Physical</b>	Humidity	20% ~ 85%, non-condensing
	Dimension (W*D*H)	614*196*461
	Dimension (without base) (W*D*H)	614*70*363
	Packing Dimension (W*D*H)	675*185*435
	Net Weight	5.8
	Gross Weight	7.2
	Tilt	-5°~15°
	VESA Mounting	YES(75mm)
	Swivel	YES
<b>Accessory</b>	Pivot	YES
	Kensington Lock	YES
	Adapter	12V 4A
<b>Color Plan</b>	HDMI Cable	x 1 (1.0M)
	User Manual	YES
<b>Carton Box</b>		Black
		Standard



## VII. Frequently Asked Questions (FAQ)

Problems that arise	Possible solutions
Power indicator light is off	<ul style="list-style-type: none"><li>* Check whether to turn on the power</li><li>* Check whether or not to connect the power line</li></ul>
Unable to achieve plug and play	<ul style="list-style-type: none"><li>* Check whether the PC is matched with plug and play</li><li>* Check whether the Monitor card is matched with plug and play</li><li>* Check whether the signal cable 15-pin D-shaped connector is bent</li></ul>
Image is dim	<ul style="list-style-type: none"><li>* Adjust brightness and contrast ratio</li></ul>
Image jumps or appears rippled	<ul style="list-style-type: none"><li>* There may be electrical devices that cause electrical interference around</li></ul>
The power indicator light is on (flashing), But the Monitor has no image display	<ul style="list-style-type: none"><li>* Check whether the computer video card is inserted</li><li>* Check whether the Monitor's signal cable is properly connected to the computer</li><li>* Check the Monitor's signal cable plug and make sure the pins are not bent</li><li>* Check whether the computer is operating by pressing the Caps Lock key on the PC keyboard</li></ul>
Lack of color (red, green, blue)	<ul style="list-style-type: none"><li>* Check the Monitor's signal cable plug and make sure the pins are not bent</li></ul>
The screen is not in the middle or the size is not suitable	<ul style="list-style-type: none"><li>* Adjust the clock (CLOCK) or press the hotkey (AUTO)</li></ul>
The image has a color difference (white does not look white)	<ul style="list-style-type: none"><li>* Adjust RGB color or reselect color temperature</li></ul>
Weak brightness and contrast ratio	<ul style="list-style-type: none"><li>* When the Monitor is used for a period of time, if the brightness is reduced to affect normal use, please send the Monitor to an authorized service facility for repair</li></ul>
Image horizontal or vertical interference	<ul style="list-style-type: none"><li>* Turn off the Windows operating system and adjust CLOCK or execute the AUTO key.</li></ul>

Read this instruction manual carefully  
before use and retain it for future reference.