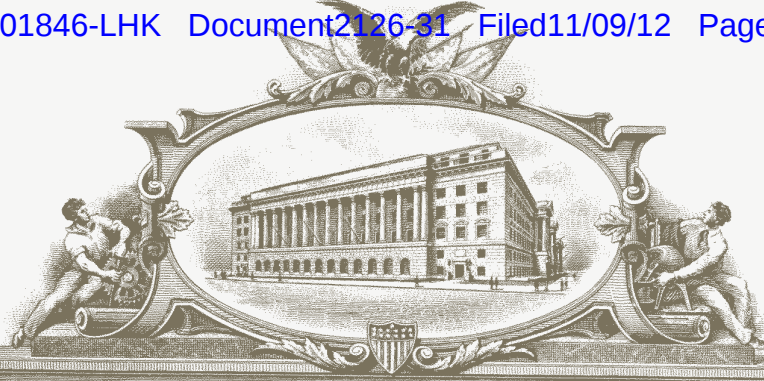


Estrich Declaration

Exhibit 31

D 7293088



THE UNITED STATES OF AMERICA

TO ALL TO WHOM THESE PRESENTS SHALL COME:

**UNITED STATES DEPARTMENT OF COMMERCE
United States Patent and Trademark Office**

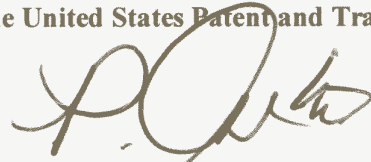
April 26, 2011

**THIS IS TO CERTIFY THAT ANNEXED HERETO IS A TRUE COPY FROM
THE RECORDS OF THIS OFFICE OF:**

**U.S. PATENT: D618,677
ISSUE DATE: June 29, 2010**

**By Authority of the
Under Secretary of Commerce for Intellectual Property
and Director of the United States Patent and Trademark Office**




**P. SWAIN
Certifying Officer**

JOINT TRIAL EXHIBIT NO. 1043

United States District Court
Northern District of California
No. 11-CV-01846-LHK (PSG)

Apple Inc. v. Samsung Elecs.

Date Admitted: _____ By: _____



US00D618677S

(12) **United States Design Patent**
Andre et al.

(10) **Patent No.:** **US D618,677 S**

(45) **Date of Patent:** **** *Jun. 29, 2010**

(54) **ELECTRONIC DEVICE**

- (75) **Inventors:** **Bartley K. Andre**, Menlo Park, CA (US); **Daniel J. Coster**, San Francisco, CA (US); **Daniele De Iullis**, San Francisco, CA (US); **Richard P. Howarth**, San Francisco, CA (US); **Jonathan P. Ive**, San Francisco, CA (US); **Steve Jobs**, Palo Alto, CA (US); **Duncan Robert Kerr**, San Francisco, CA (US); **Shin Nishibori**, Portola Valley, CA (US); **Matthew Dean Rohrbach**, San Francisco, CA (US); **Douglas B. Satzger**, Menlo Park, CA (US); **Calvin Q. Seid**, Palo Alto, CA (US); **Christopher J. Stringer**, Woodside, CA (US); **Eugene Antony Whang**, San Francisco, CA (US); **Rico Zorkendorfer**, San Francisco, CA (US)
- (73) **Assignee:** **Apple Inc.**, Cupertino, CA (US)
- (*) **Notice:** This patent is subject to a terminal disclaimer.
- (**) **Term:** **14 Years**
- (21) **Appl. No.:** **29/328,018**
- (22) **Filed:** **Nov. 18, 2008**

Related U.S. Application Data

- (60) Division of application No. 29/282,834, filed on Jul. 30, 2007, now Pat. No. Des. 581,922, which is a continuation of application No. 29/270,888, filed on Jan. 5, 2007, now Pat. No. Des. 558,758.
 - (51) **LOC (9) Cl.** **14-02**
 - (52) **U.S. Cl.** **D14/341; D14/248; D14/203.7**
 - (58) **Field of Classification Search** **D14/341, D14/342, 343, 344, 345, 346, 347, 420, 426, D14/427, 432, 439, 440, 441, 448, 496, 125, D14/137, 129, 130, 138, 250, 389, 147, 218, D14/247, 248, 156; D10/65, 104; D13/168; D18/6, 7; D21/329, 686; 455/90.3, 556.1, 455/556.2, 575.1, 575.3, 575.4; 379/433.01, 379/433.04, 433.06, 433.07; 361/814; 341/22; 345/169, 173; D6/596, 601, 605**
- See application file for complete search history.

(56) **References Cited**

- U.S. PATENT DOCUMENTS**
- D289,873 S 5/1987 Gemmell et al.
- (Continued)
- FOREIGN PATENT DOCUMENTS**
- EM 000569157-0005 5/2006
- (Continued)
- OTHER PUBLICATIONS**
- U.S. Appl. No. 29/282,831, Andre et al., Electronic Device, filed Jul. 30, 2007.
- (Continued)
- Primary Examiner**—Cathron C Brooks
- Assistant Examiner**—Angela J Lee
- (74) **Attorney, Agent, or Firm**—Sterne, Kessler, Goldstein & Fox PLLC

(57) **CLAIM**

The ornamental design of an electronic device, as shown and described.

DESCRIPTION

FIG. 1 is a front perspective view of an electronic device in accordance with the present invention;

FIG. 2 is a rear perspective view thereof;

FIG. 3 is a front view thereof;

FIG. 4 is a rear view thereof;

FIG. 5 is a top view thereof;

FIG. 6 is bottom view thereof;

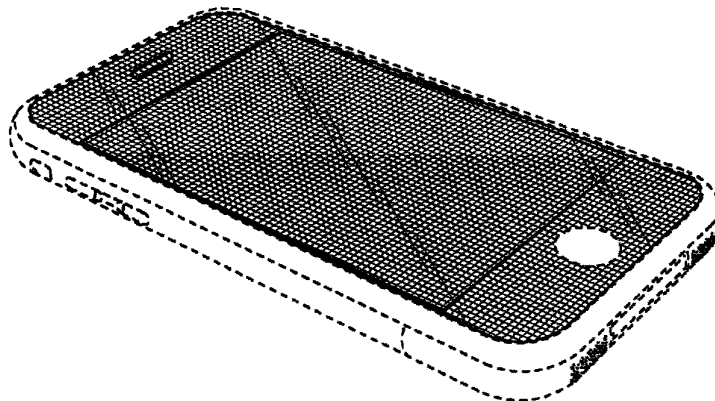
FIG. 7 is a left side view thereof; and,

FIG. 8 is a right side view thereof.

The claimed surface of the electronic device is illustrated with the color designation for the color black.

The electronic device is not limited to the scale shown herein. As indicated in the title, the article of manufacture to which the ornamental design has been applied is an electronic device, media player (e.g., music, video and/or game player), media storage device, a personal digital assistant, a communication device (e.g., cellular phone), a novelty item or toy.

1 Claim, 2 Drawing Sheets



US D618,677 S

Page 2

U.S. PATENT DOCUMENTS

D337,569 S 7/1993 Kando
 D410,440 S * 6/1999 Carnell D14/346
 D424,535 S 5/2000 Peltola
 D455,433 S * 4/2002 Alviar et al. D14/441
 D456,023 S 4/2002 Andre et al.
 D458,252 S * 6/2002 Palm et al. D14/343
 D469,413 S * 1/2003 To et al. D14/126
 D489,731 S 5/2004 Huang
 D498,754 S 11/2004 Blyth
 D499,423 S 12/2004 Bahroocha et al.
 D502,173 S 2/2005 Jung et al.
 D504,889 S 5/2005 Andre et al.
 D505,950 S 6/2005 Summit et al.
 D507,003 S 7/2005 Pai et al.
 D514,121 S 1/2006 Johnson
 D514,590 S 2/2006 Naruki
 D519,116 S 4/2006 Tanaka et al.
 D519,523 S 4/2006 Chiu et al.
 D520,020 S 5/2006 Senda et al.
 7,042,712 B2 * 5/2006 Ghosh et al. 361/679.03
 D528,542 S 9/2006 Luminosu et al.
 D528,561 S 9/2006 Ka-Wei et al.
 D529,045 S 9/2006 Shin
 D532,791 S 11/2006 Kim
 D534,143 S 12/2006 Lheem
 D535,281 S 1/2007 Yang
 D536,691 S 2/2007 Park
 D536,962 S 2/2007 Tanner
 D538,822 S 3/2007 Andre et al.
 D541,298 S 4/2007 Andre et al.
 D541,299 S 4/2007 Andre et al.
 D541,785 S 5/2007 Hwang et al.
 D546,313 S 7/2007 Lheem
 D548,732 S 8/2007 Cebe et al.
 D548,747 S 8/2007 Andre et al.
 D554,098 S 10/2007 Lee
 D556,211 S 11/2007 Howard
 D557,238 S 12/2007 Kim
 7,303,424 B2 12/2007 Tu et al.
 D558,460 S 1/2008 Yu et al.
 D558,756 S 1/2008 Andre et al.
 D558,757 S 1/2008 Andre et al.
 D558,758 S 1/2008 Andre et al.
 D558,792 S 1/2008 Chigira
 D559,220 S 1/2008 Lee et al.
 D560,192 S 1/2008 Lee et al.
 D560,683 S 1/2008 Lee
 D560,686 S 1/2008 Kim
 D561,153 S 2/2008 Hong et al.
 D561,204 S 2/2008 Toh
 D561,782 S 2/2008 Kim
 D562,285 S 2/2008 Lim
 D563,432 S 3/2008 Kim
 D563,929 S 3/2008 Park
 D568,309 S * 5/2008 Cebe et al. D14/341
 D573,143 S * 7/2008 Park et al. D14/341
 D574,015 S * 7/2008 Masui D14/496
 7,409,059 B2 * 8/2008 Fujisawa 379/433.13
 D579,930 S * 11/2008 Maskatia D14/341
 D580,387 S 11/2008 Andre et al.
 D581,922 S 12/2008 Andre et al.
 D584,738 S * 1/2009 Kim et al. D14/496
 D586,800 S * 2/2009 Andre et al. D14/341
 D589,979 S * 4/2009 Andre et al. D14/496
 2004/0132499 A1 7/2004 Abe
 2004/0166907 A1 8/2004 Yajima
 2004/0223004 A1 11/2004 Lincke et al.
 2005/0130715 A1 6/2005 Fujisawa
 2006/0281501 A1 12/2006 Zuo et al.
 2007/0082718 A1 4/2007 Yoon et al.

2008/0004083 A1 * 1/2008 Ohki et al. 455/566
 2008/0004085 A1 1/2008 Jung et al.

FOREIGN PATENT DOCUMENTS

JP D1159881 12/2002
 JP D1250487 9/2005
 JP 2004 290256 10/2005
 KR 30-0394921 12/2005
 KR 30-0422221 8/2006

OTHER PUBLICATIONS

U.S. Appl. No. 29/282,832, Andre et al., Electronic Device, filed Jul. 30, 2007.
 U.S. Appl. No. 29/282,833, Andre et al., Electronic Device, filed Jul. 30, 2007.
 U.S. Appl. No. 29/284,187, Andre et al., Electronic Device, filed Aug. 31, 2007.
 U.S. Appl. No. 29/284,188, Andre et al., Electronic Device, filed Aug. 31, 2007.
 U.S. Appl. No. 29/284,269, Andre et al., Electronic Device, filed Sep. 4, 2007.
 U.S. Appl. No. 29/284,272, Andre et al., Electronic Device, filed Sep. 5, 2007.
 U.S. Appl. No. 29/284,276, Andre et al., Electronic Device, filed Sep. 5, 2007.
 U.S. Appl. No. 29/284,288, Andre et al., Electronic Device, filed Sep. 5, 2007.
 U.S. Appl. No. 29/284,308, Andre et al., Electronic Device, filed Sep. 5, 2007.
 U.S. Appl. No. 29/284,310, Andre et al., Electronic Device, filed Sep. 5, 2007.
 Hilon LG DMB MP3 FM35, posted on Jun. 26, 2006, [online], [retrieved on Dec. 26, 2008]. Retrieved from Internet, <URL:http://hilon.com.en.autobak/a8810005549>.
 eFashion Magazine, 2004, vol. No. 12, p. 60, China.
 eFashion Magazine, Jun. 1, 2005, vol. No. 119, p. 45, China.
 eFashion Magazine, Apr. 2006, vol. No. 142, p. 26, China.
 Notification and Request for Invalidation of Chinese Patent ZL200730148767.X, Patent Reexamination Board of the State of Intellectual Property Office of the PRC and English translation, mailed Dec. 11, 2008, 19 pages.
 Notification and Request for Invalidation of Chinese Patent ZL200730148751.9, Patent Reexamination Board of the State of Intellectual Property Office of the PRC and English translation, mailed Dec. 11, 2008, 19 pages.
 Notification and Request for Invalidation of Chinese Patent ZL200730148719.0, Patent Reexamination Board of the State of Intellectual Property Office of the PRC and English translation, mailed Dec. 11, 2008, 19 pages.
 U.S. Appl. No. 29/306,334, Andre et al., Electronic Device, filed Apr. 7, 2008.
 U.S. Appl. No. 29/306,950, Andre et al., Electronic Device, filed Apr. 18, 2008.
 U.S. Appl. No. 29/319,239, Andre et al., Electronic Device, filed Jun. 5, 2008.
 U.S. Appl. No. 29/319,433, Andre et al., Electronic Device, filed Jun. 9, 2008.
 U.S. Appl. No. 29/324,130, Andre et al., Electronic Device, filed Sep. 5, 2008.
 U.S. Appl. No. 29/324,137, Andre et al., Electronic Device, filed Sep. 6, 2008.
 U.S. Appl. No. 29/324,262, Andre et al., Electronic Device, filed Sep. 9, 2008.
 U.S. Appl. No. 29/284,271, Andre et al., Electronic Device, filed Sep. 4, 2007.
 U.S. Appl. No. 29/284,312, Andre et al., Electronic Device, filed Sep. 5, 2007.
 U.S. Appl. No. 29/319,377, Andre et al., Electronic Device, filed Jun. 6, 2008.
 Samsung F700, announced Feb. 2007, [online], [retrieved on Feb. 8, 2007]. Retrieved from Internet, <URL:http://www.gsmarena.com>.

US D618,677 SPage 3

Philips S900, announced Jun. 2006, [online], [retrieved on Feb. 20, 2007]. Retrieved from Internet, <URL:http://www.gsmarena.com>. LG DE850 Prada, announced Jan. 2007, [online], [retrieved on Feb. 20, 2007]. Retrieved from Internet, <URL:http://www.gsmarena.com>.

Apple iPhone, announced Jan. 2007, [online], [retrieved on Mar. 12, 2007]. Retrieved from Internet, <URL:http://www.gsmarena.com>.

Tinnos PDA, posted May 19, 2006, [online], [retrieved on Aug. 22, 2007]. Retrieved from Internet, <URL:http://www.mobilewhack.com>.

Meizu M8, posted Jan. 29, 2007, [online], [retrieved on Sep. 13, 2007]. Retrieved from Internet, <URL:http://www.engadget.com>.

* cited by examiner

U.S. Patent

Jun. 29, 2010

Sheet 1 of 2

US D618,677 S

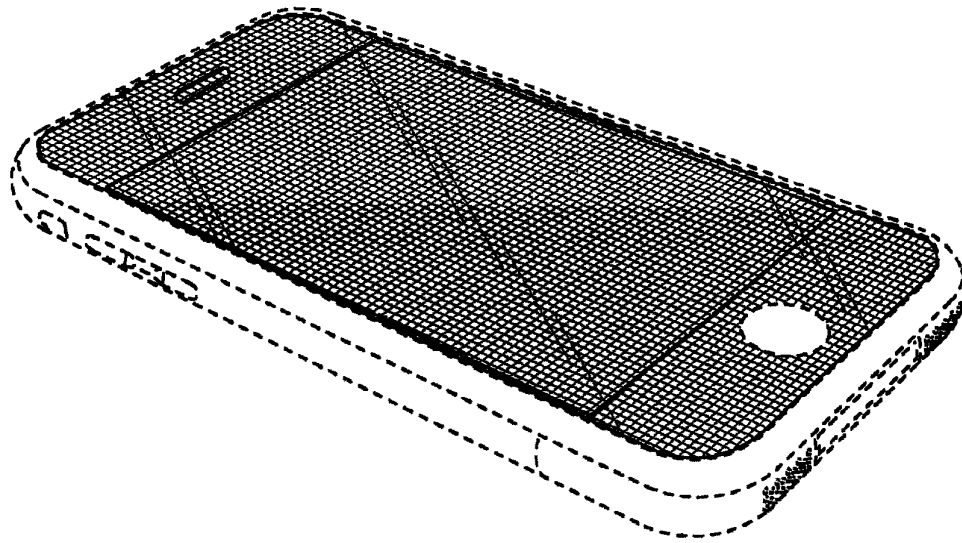


FIG. 1

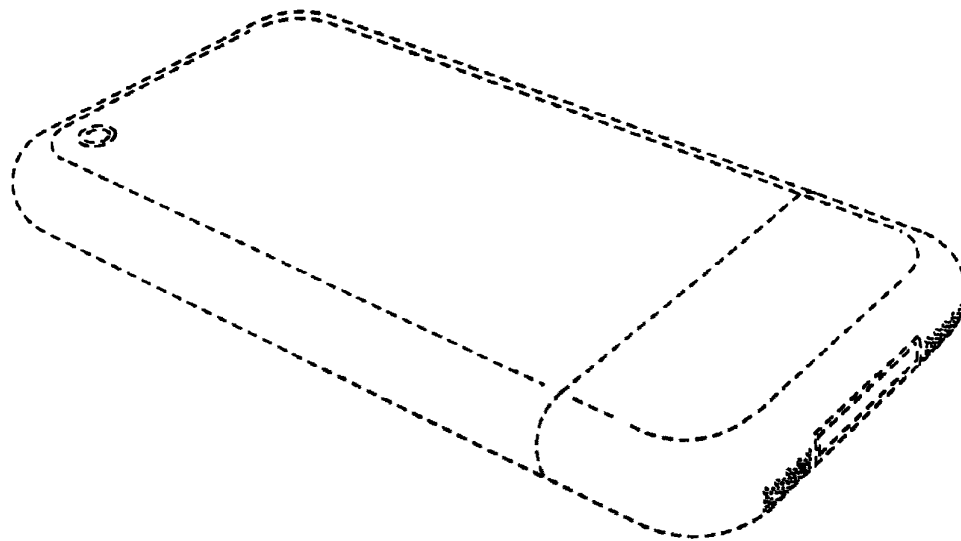


FIG. 2

U.S. Patent

Jun. 29, 2010

Sheet 2 of 2

US D618,677 S

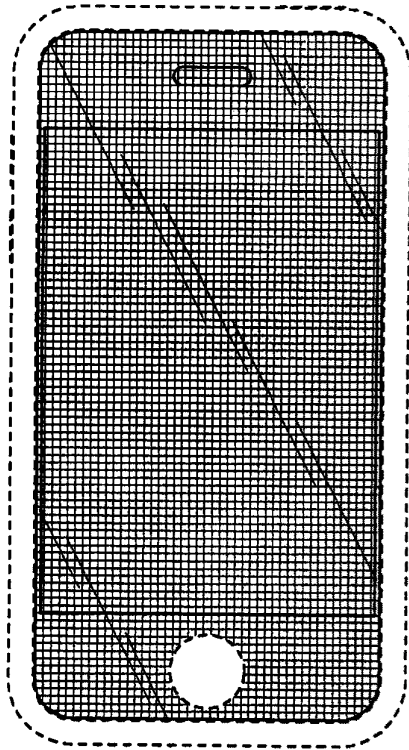


FIG. 3

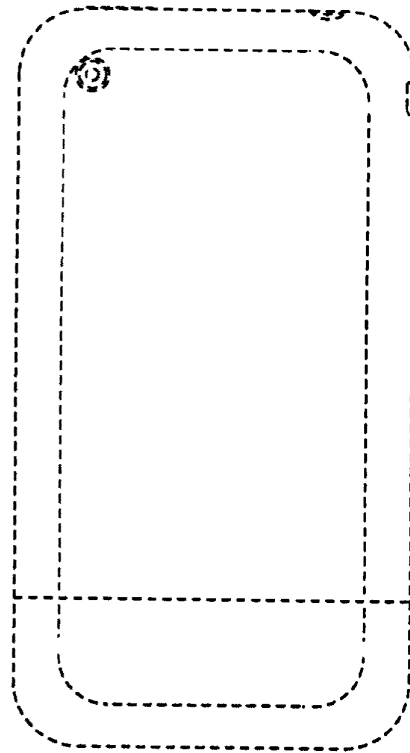


FIG. 4



FIG. 7



FIG. 8

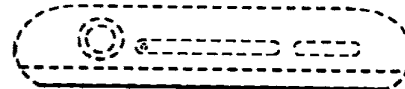


FIG. 5

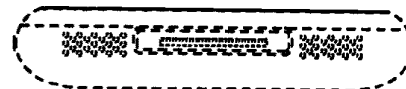


FIG. 6