

Proctor Declaration

EXHIBIT 6

D 7306757



THE UNITED STATES OF AMERICA

TO ALL TO WHOM THESE PRESENTS SHALL COME:

**UNITED STATES DEPARTMENT OF COMMERCE
United States Patent and Trademark Office**

July 19, 2011

**THIS IS TO CERTIFY THAT ANNEXED HERETO IS A TRUE COPY FROM
THE RECORDS OF THIS OFFICE OF:**

**U.S. PATENT: D504,889
ISSUE DATE: May 10, 2005**

**By Authority of the
Under Secretary of Commerce for Intellectual Property
and Director of the United States Patent and Trademark Office**



**M. TARVER
Certifying Officer**

JOINT TRIAL EXHIBIT NO. 1040

United States District Court
Northern District of California
No. 11-CV-01846-LHK (PSG)

Apple Inc. v. Samsung Elecs.

Date Admitted: _____ By: _____



US00D504889S

(12) **United States Design Patent** (10) **Patent No.:** **US D504,889 S**
Andre et al. (45) **Date of Patent:** **** May 10, 2005**

(54) **ELECTRONIC DEVICE**

(75) **Inventors:** **Bartley K. Andre**, Menlo Park, CA (US); **Daniel J. Coster**, San Francisco, CA (US); **Daniele De Iullis**, San Francisco, CA (US); **Richard P. Howarth**, San Francisco, CA (US); **Jonathan P. Ive**, San Francisco, CA (US); **Steve Jobs**, Palo Alto, CA (US); **Shin Nishibori**, San Francisco, CA (US); **Duncan Robert Kerr**, San Francisco, CA (US); **Matthew Dean Rohrbach**, San Francisco, CA (US); **Douglas B. Satzger**, Menlo Park, CA (US); **Calvin Q. Seid**, Palo Alto, CA (US); **Christopher J. Stringer**, Portola Valley, CA (US); **Eugene Anthony Whang**, San Francisco, CA (US); **Rico Zörkendörfer**, San Francisco, CA (US)

D396,452 S * 7/1998 Naruki D14/424
 D451,505 S * 12/2001 Iseki et al. D14/341
 D453,333 S * 2/2002 Chen D14/374
 D458,252 S * 6/2002 Palm et al. D14/343

OTHER PUBLICATIONS

Andre et al., U.S. Appl. No. 29/180,558 entitled "Electronic Device", filed Mar. 17, 2004.
 "HP Compaq Tablet PC tc1100", downloaded Aug. 27, 2004.
 "Tablet PC V1100", downloaded Aug. 27, 2004.
 "ViewPad 1000", downloaded Aug. 27, 2004.

* cited by examiner

Primary Examiner—Freda S. Nunn
 (74) *Attorney, Agent, or Firm*—Beyer Weaver & Thomas, LLP

(73) **Assignee:** **Apple Computer, Inc.**, Cupertino, CA (US)

(**) **Term:** **14 Years**

(21) **Appl. No.:** **29/201,636**

(22) **Filed:** **Mar. 17, 2004**

(51) **LOC (7) Cl.** **14-02**

(52) **U.S. Cl.** **D14/341**

(58) **Field of Search** D14/341-346, D14/374, 424; D19/26, 59, 60; 345/104, 156, 168, 173; 434/307 R, 308, 309, 317; 178/18.03; 349/12

(56) **References Cited**

U.S. PATENT DOCUMENTS

D345,346 S * 3/1994 Alfonso et al. D14/341

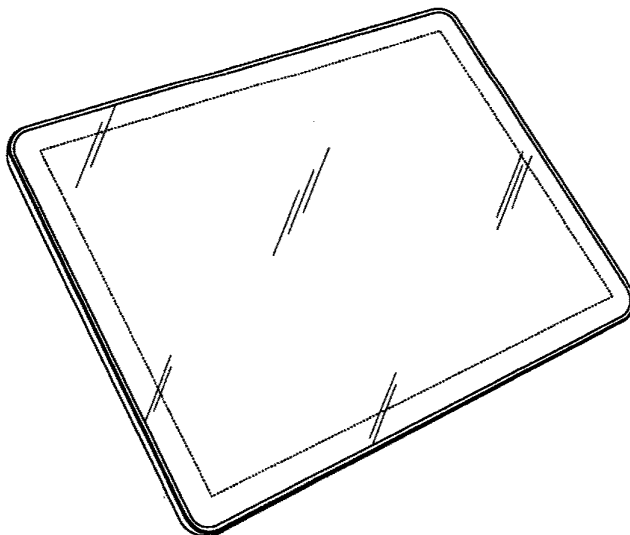
(57) **CLAIM**

We claim the ornamental design for an electronic device, substantially as shown and described.

DESCRIPTION

FIG. 1 is a top perspective view of an electronic device in accordance with the present design;
 FIG. 2 is a bottom perspective view thereof;
 FIG. 3 is a top view thereof;
 FIG. 4 is a bottom view thereof;
 FIG. 5 is a left side view thereof;
 FIG. 6 is a right side view thereof;
 FIG. 7 is an upper side view thereof;
 FIG. 8 is a lower side view thereof; and,
 FIG. 9 is an exemplary diagram of the use of the electronic device thereof the broken lines being shown for illustrative purposes only and form no part of the claimed design.

1 Claim, 4 Drawing Sheets



U.S. Patent

May 10, 2005

Sheet 1 of 4

US D504,889 S

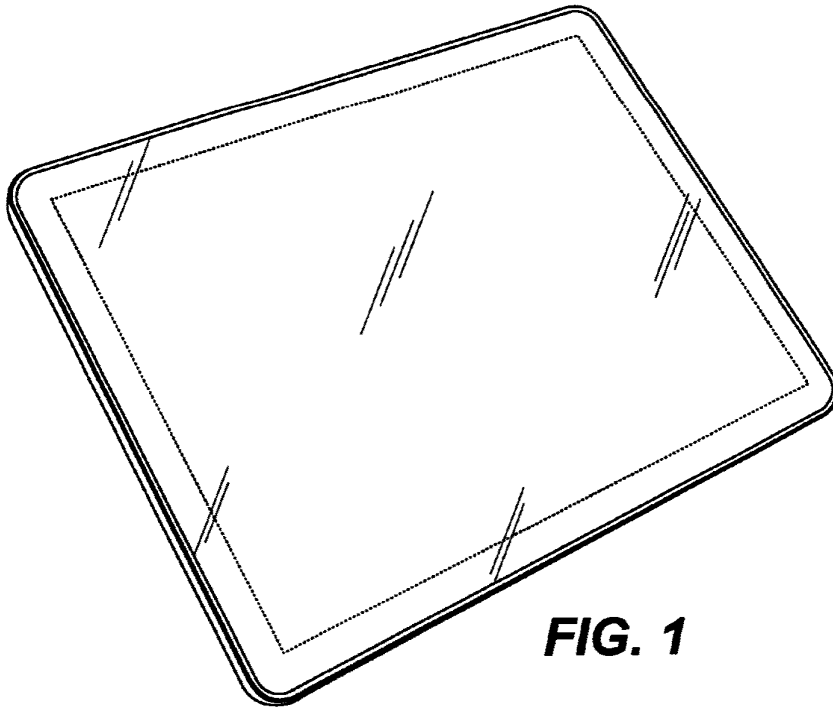


FIG. 1

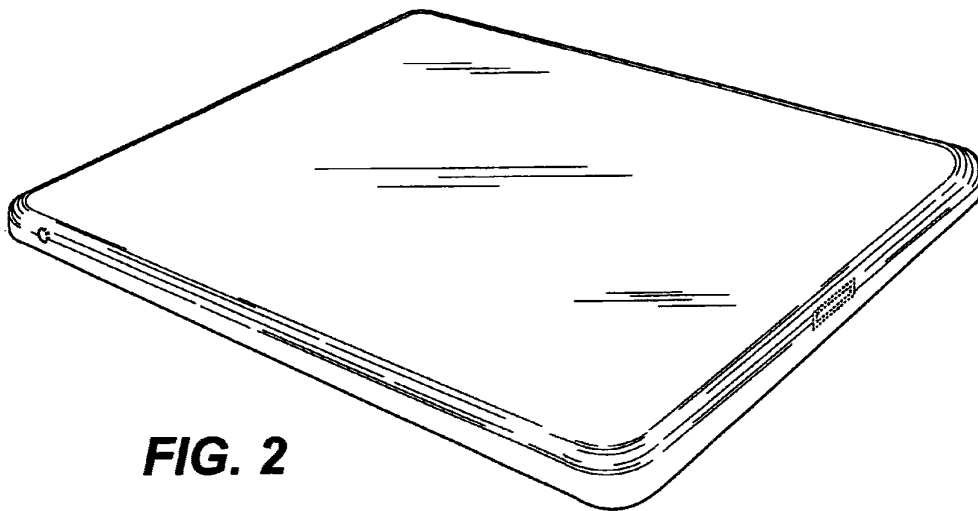


FIG. 2

U.S. Patent

May 10, 2005

Sheet 2 of 4

US D504,889 S

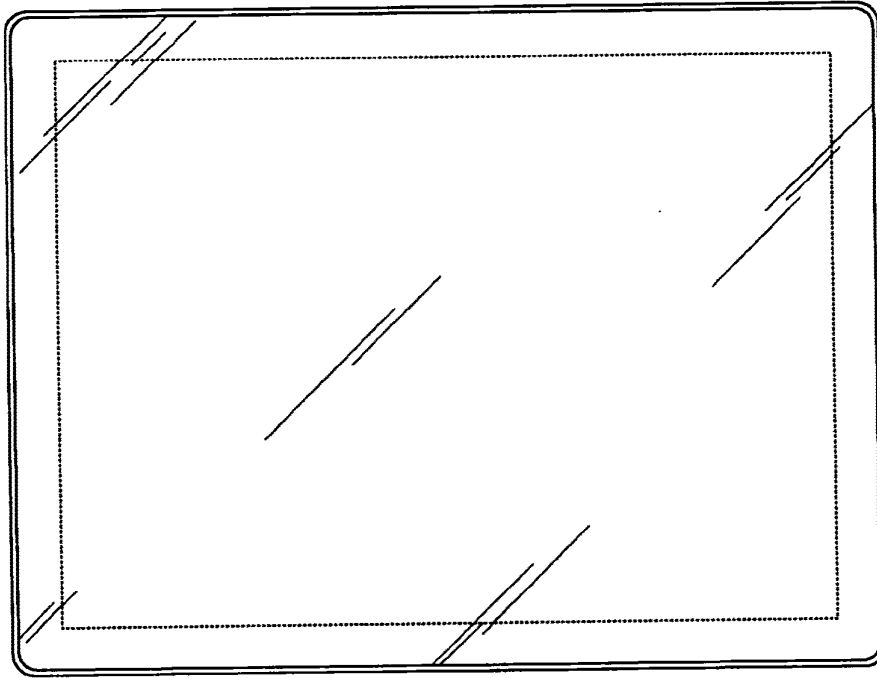


FIG. 3

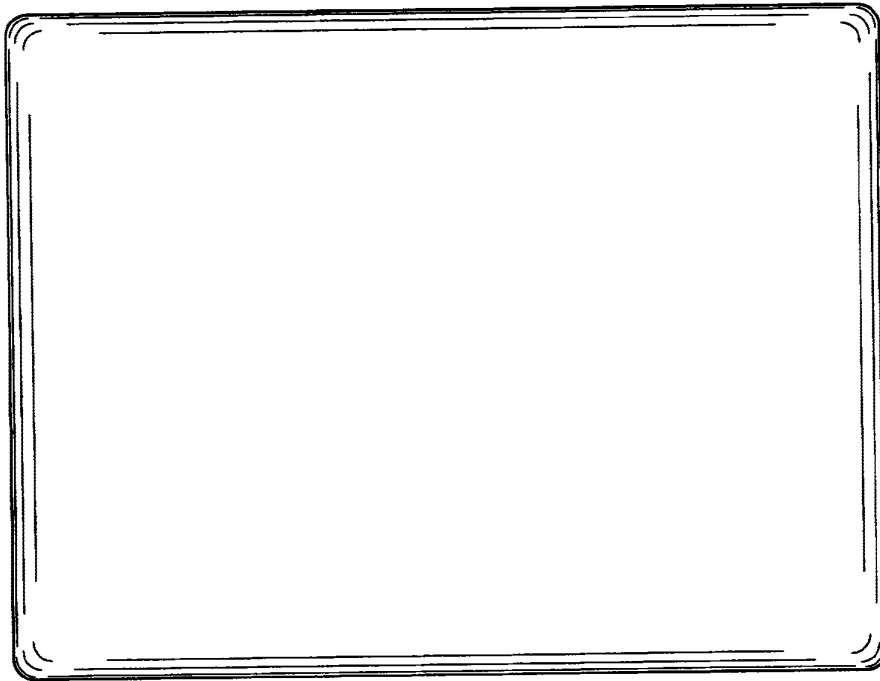


FIG. 4

U.S. Patent

May 10, 2005

Sheet 3 of 4

US D504,889 S



FIG. 5

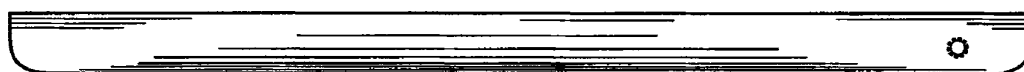


FIG. 6

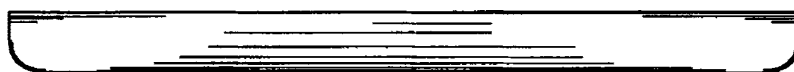


FIG. 7



FIG. 8

U.S. Patent

May 10, 2005

Sheet 4 of 4

US D504,889 S

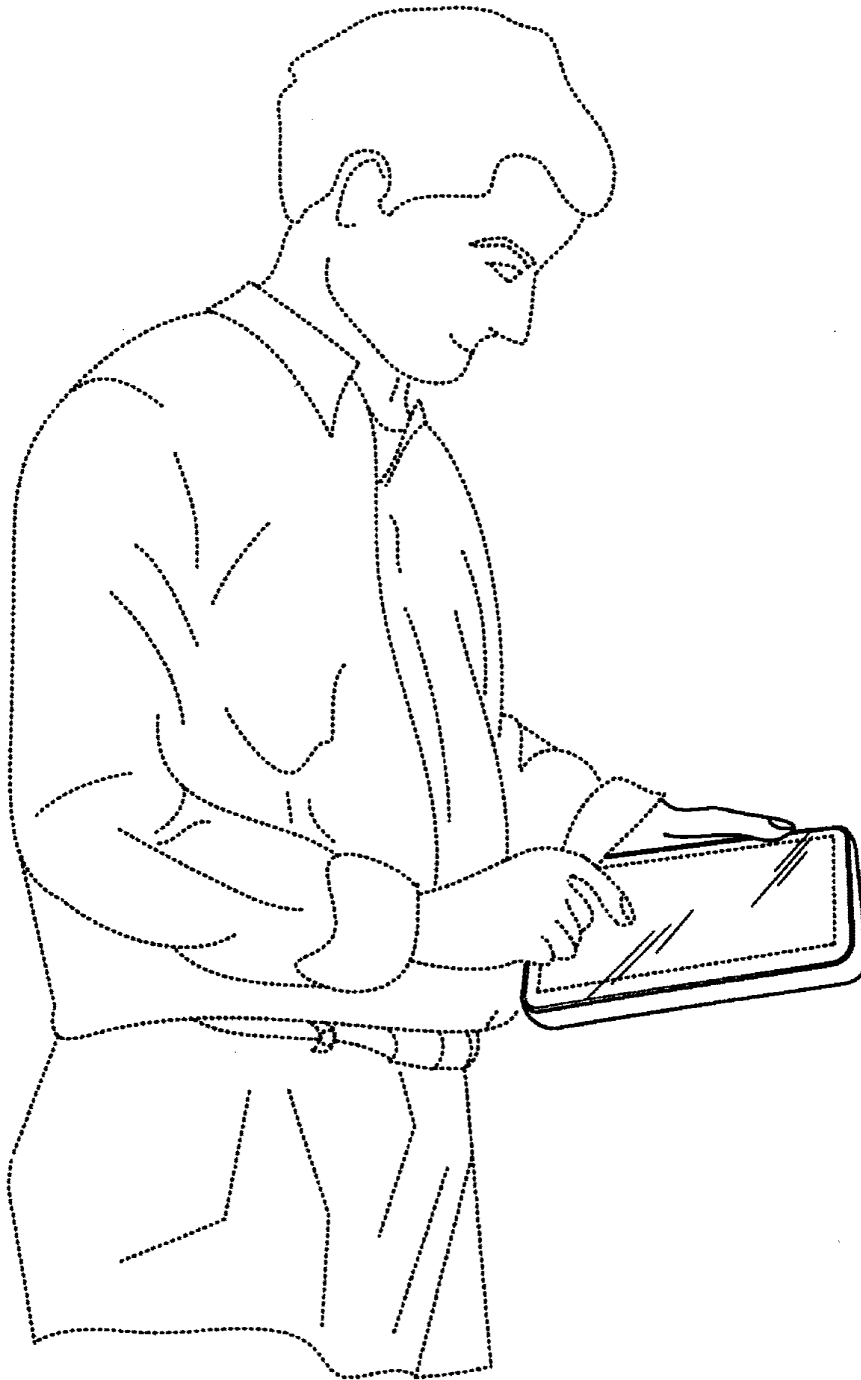


FIG. 9